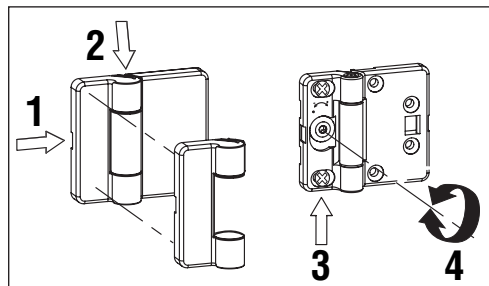


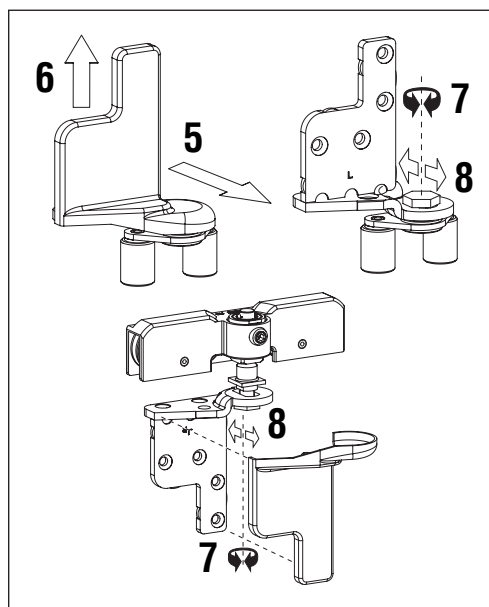
Lift-slide units G.U-925

Instructions for adjusting, hinging and unhinging the sashes



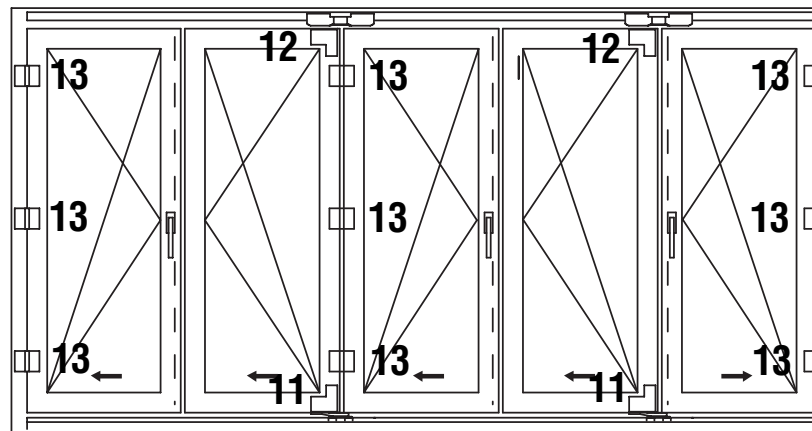
Aligning folding sashes with each other and over total length of unit

- 1 Lift cover (if mounted) with screw driver.
- 2 Hook into notch with small screw driver and remove cover.
- 3 Loosen fastening screws by approx. 1 turn.
- 4 Adjust sash clearance with hexagonal Allen key SW 4, max. +/- 2.5 mm.

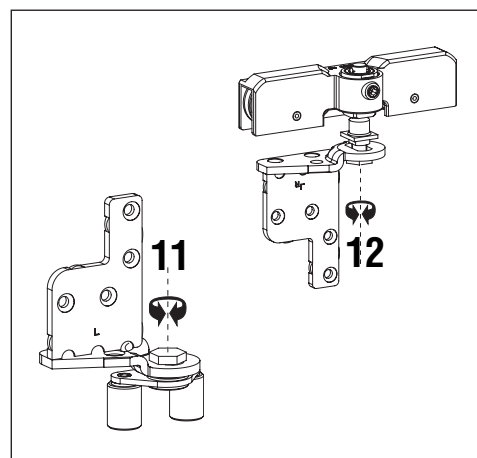


Adjusting the closing pressure of folding sashes

- 5 Lift cover (if mounted) in the direction of the arrow.
- 6 Remove it in vertical direction.
- 7 Loosen screw M 10 on runner and guiding roll with flat spanner SW 17.
- 8 Push sash into correct position via the long slot in the corner bearing and firmly re-tighten the screw.



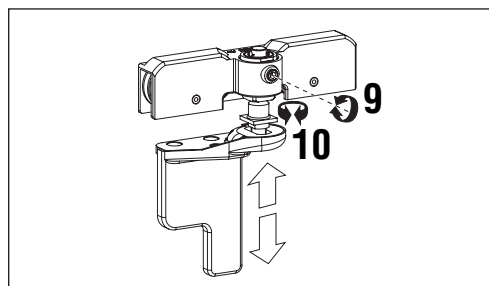
The figure shows scheme 541. With other schemes proceed accordingly.



Unhinging the sashes

Remove covers (if mounted) as described in steps 1, 2, 5 and 6.

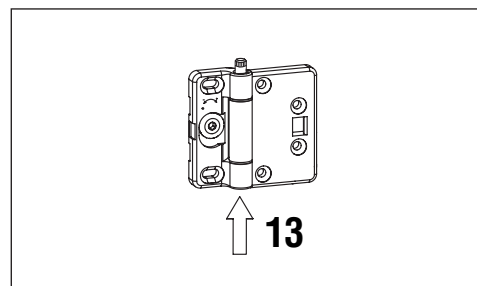
- 11 Remove screw M 10 on sash A with flat spanner SW 17. Swivel out guiding roll from corner bearing and gliding rail.
- 12 Remove screw M 10 on sash A with flat spanner SW 17. Swivel out runner from corner bearing and running rail while supporting the sash.



Aligning the sashes vertically

- 9 Loosen clamp screw with hexagonal Allen key SW 4
- 10 Adjust sash in height with flat spanner SW 17, max. + 4 / - 1.5 mm. Re-tighten the clamp screw.

After functional test clip covers on again in reverse order.



- 13 Remove bolt from sash hinge with a stroke. Unhinge sash A. Also remove bolt from sash hinge B and remove the sash.

Re-hinging of sashes in reverse order.